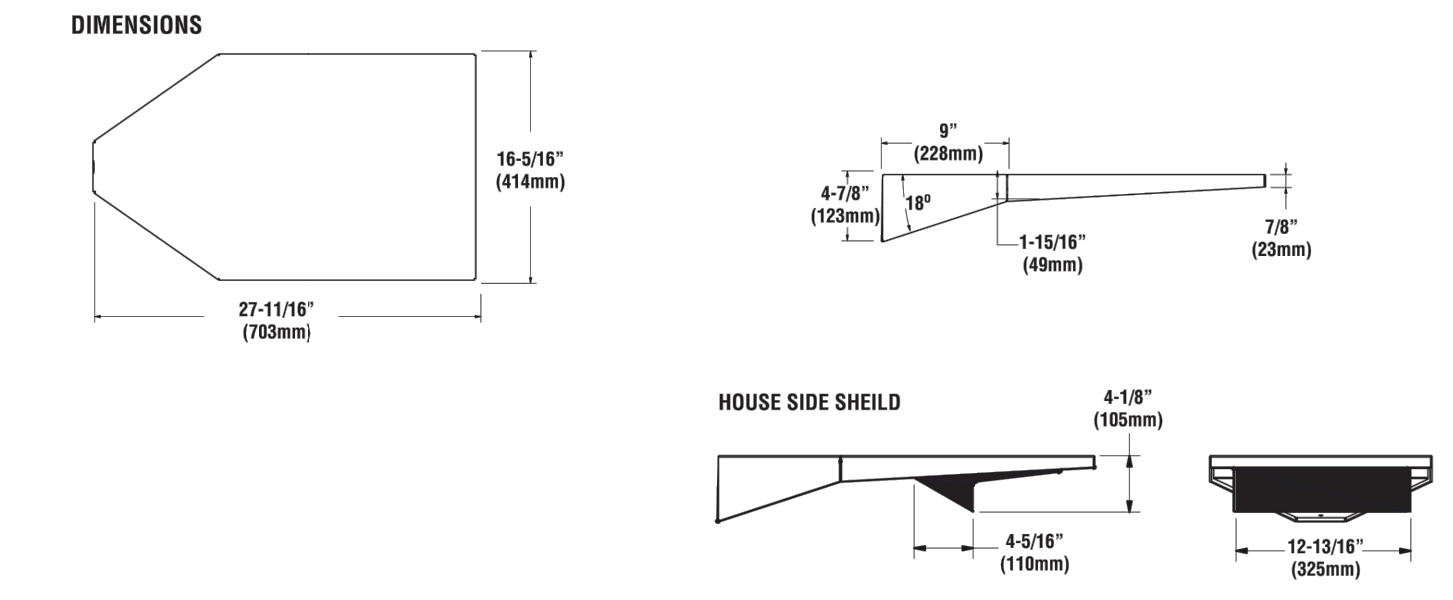
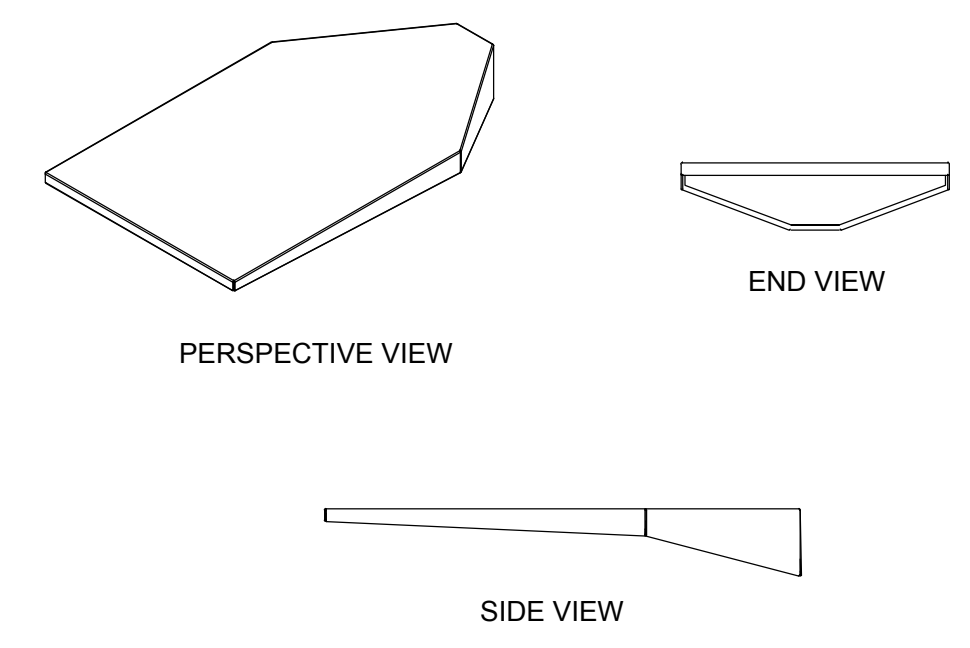


LIGHTING PLAN

XLCS LED Area Light



LED AREA LIGHTS - LSI SLICE SMALL (XLCS)

LUMINAIRE ORDERING INFORMATION
 TYPICAL ORDER EXAMPLE: **XLCS 5 LED SS CW UE BLK PCM120**

Prefix	Distribution	Light Source	Drive Current	Color Temperature	Input Voltage	Finish	Options
XLCS	3-Type III	LED	SS-Super Saver	CW-Cool White (5000K)	UE-Universal Voltage (120-277V)	BLK-Black BRZ-Bronze WHT-White	DIM-0-10V Dimming (from external signal) available with High Output (HO) drive current only Button Type Photocells PCM120-120V PCM208-277V PCM347-347V IL-Internal Louver (available with FT distribution only)

LUMINAIRE EPA CHART - XLCS	ACCESSORY ORDERING INFORMATION																												
<ul style="list-style-type: none"> Single: 0.4 D180: 0.8 D90: 0.6 T90: 1.4 TN120: 1.4 O90: 1.6 	<p>(Accessories are field installed)</p> <table border="1"> <thead> <tr> <th>Description</th> <th>Order Number</th> <th>Description</th> <th>Order Number</th> </tr> </thead> <tbody> <tr> <td>BKS-XBO-WM-CLR Wall Mount Bracket</td> <td>382132CLR</td> <td>DPK208 240 Double Fixing (208V, 240V)</td> <td>DPK208 240</td> </tr> <tr> <td>XLCS-347-480 House Side Shield (Black only)</td> <td>603160BLK</td> <td>DPK480 Double Fixing (480V)</td> <td>DPK480</td> </tr> <tr> <td>XZPP Round Pole Plate for 4' Poles</td> <td>379961CLR</td> <td>FK347 Single Fixing (347V)</td> <td>FK347</td> </tr> <tr> <td>XZPP Round Pole Plate for 5' Poles</td> <td>379962CLR</td> <td>PQM15-KIT-CLR Square Pole Quick Mount Horizontal Bracket</td> <td>SM228CLR</td> </tr> <tr> <td>FK120 Single Fixing (120V)</td> <td>FK120</td> <td>PQM15-KIT-CLR Square Pole Quick Mount Bracket without 15° Angle</td> <td>SM229CLR</td> </tr> <tr> <td>FK277 Single Fixing (277V)</td> <td>FK277</td> <td></td> <td></td> </tr> </tbody> </table>	Description	Order Number	Description	Order Number	BKS-XBO-WM-CLR Wall Mount Bracket	382132CLR	DPK208 240 Double Fixing (208V, 240V)	DPK208 240	XLCS-347-480 House Side Shield (Black only)	603160BLK	DPK480 Double Fixing (480V)	DPK480	XZPP Round Pole Plate for 4' Poles	379961CLR	FK347 Single Fixing (347V)	FK347	XZPP Round Pole Plate for 5' Poles	379962CLR	PQM15-KIT-CLR Square Pole Quick Mount Horizontal Bracket	SM228CLR	FK120 Single Fixing (120V)	FK120	PQM15-KIT-CLR Square Pole Quick Mount Bracket without 15° Angle	SM229CLR	FK277 Single Fixing (277V)	FK277		
Description	Order Number	Description	Order Number																										
BKS-XBO-WM-CLR Wall Mount Bracket	382132CLR	DPK208 240 Double Fixing (208V, 240V)	DPK208 240																										
XLCS-347-480 House Side Shield (Black only)	603160BLK	DPK480 Double Fixing (480V)	DPK480																										
XZPP Round Pole Plate for 4' Poles	379961CLR	FK347 Single Fixing (347V)	FK347																										
XZPP Round Pole Plate for 5' Poles	379962CLR	PQM15-KIT-CLR Square Pole Quick Mount Horizontal Bracket	SM228CLR																										
FK120 Single Fixing (120V)	FK120	PQM15-KIT-CLR Square Pole Quick Mount Bracket without 15° Angle	SM229CLR																										
FK277 Single Fixing (277V)	FK277																												

FOOTNOTES:
 1 - House Side Shields add to fixture EPA Consult factory.
 2 - Fixing must be located in the hand hole of pole.

DIMENSIONS

LED AREA LIGHTS - LSI SLICE SMALL (XLCS)



DOE LIGHTING FACTS
 Department of Energy has verified representative product test data and results in accordance with its Lighting Facts Program. Visit www.lightingfacts.com for specific catalog listings.

LIGHT OUTPUT - XLCS				
Type 3	Type FT	Type 5	TypeSE	TypeFTE
13100	11400	11400	8200	7800
14000	13500	15700	11600	10600
17000	8200	9300	7900	7500
19000	12100	12200	11000	10500

LED Chips are frequently updated therefore values may increase.

US & Int'l. patents pending

SMARTTEC™ - LSI drivers feature integral sensor which reduces drive current, when ambient temperatures exceed rated temperature.

ENERGY SAVING CONTROL OPTION - DIM - 0-10 volt dimming enabled with controls by others. Available with High Output (HO) drive current only.

EXPECTED LIFE - Minimum 60,000 hours to 100,000 hours depending upon the ambient temperature of the installation location. See LSI web site for specific guidance.

LEDS - Select high-brightness LEDs in Cool White (5000K), or Neutral White (4000K) color temperature, 70 CRI.

DISTRIBUTION/PERFORMANCE - Types 3, FT, 5 and extended SE and FTE. Exceptional uniformity creates bright environment at lower light levels. Internal Louver (IL) option available for improved backlight control without sacrificing street side performance for FT distribution.

HOUSING - One-piece, die-formed aluminum housing contains factory prewired driver. Wiring access door (with safety lanyard) located underneath.

OPTICAL UNIT - Clear tempered flat glass lens permanently sealed to weather-tight aluminum optic frame creates an IP65 rated optical unit (includes pressure-stabilizing breather).

MOUNTING - Tapered rear design allows fixture to be mounted in 90° and 120° configurations without the need for extension arms. Use with 3" reduced drilling pattern. A round pole plate is required for mounting to round poles. Wall mount available by ordering wall mounting bracket (BKS-XBO-WM-CLR). Proprietary pole quick mount accessories available with horizontal mounting or fixed 15° angled mounting (PQM15-KIT-CLR and PQM15-KIT-CLR) for mounting to square poles. See Accessory Ordering Information chart for all brackets.

ELECTRICAL - Two-stage surge protection (including separate surge protection built into electronic driver) meets IEEE 682 41-2-2002, Location Category C. Available with universal voltage power supply 120-277 VAC (50/60Hz input), and 347-480 VAC. Optional button-type photocells (PCI) are available in 120, 208, 240, 277 or 347 volt (supply voltage must be specified).

DRIVER - Available in SS (Super Saver) and HO (High Output) drive currents. Components are fully encased in potting material for moisture resistance. Driver complies with FCC standards. Driver and key electronic components can easily be accessed.

OPERATING TEMPERATURE - -40°C to +50°C (-40°F to +122°F)

FINISH - Fixtures are finished with LSI's DuraGrip® polyester powder coat finishing process. The DuraGrip finish withstands extreme weather changes without cracking or peeling. Available in black, bronze and white. Other standard LSI finishes available. Consult factory.

WARRANTY - LSI LED fixtures carry a limited 5-year warranty.

PHOTOMETRICS - Please visit our web site at www.lsi-industries.com for detailed photometric data.

SHIPPING WEIGHT (in carton) - One fixture: 17.5 lbs. (7.9 kg). Packed two per carton: 30 lbs. (13.6 kg).

LISTING - UL listed to U.S. and international safety standards. Suitable for wet locations. For a list of the specific products in this series that are DLC listed, please consult the LED Lighting section of our website or the Design Lights website at www.designlights.org.

This product, or selected versions of this product, meet the standards listed below. Please consult factory for your specific requirements.

ARRA, DLC, UL, RAL, CE, FC, IP65

Fixtures comply with ANSI C136.31-2010 American National Standard for Roadway Lighting Equipment - Luminaires Vibration 1.5g requirements.

Project Name	WEST HERR EAST AURORA STORAGE LOT, Fixture Type	09/10/15
Catalog #	XLCS FT LED HO CW UE	© 2015 LSI INDUSTRIES INC.

Project Name	WEST HERR EAST AURORA STORAGE LOT, Fixture Type	09/10/15
Catalog #	XLCS FT LED HO CW UE	© 2015 LSI INDUSTRIES INC.

Label	CalcType	Units	Avg	Max	Min	Avg/Min	Max/Min
CalcPts	ILLuminance	Fc	4.02	22.3	0.0	N.A.	N.A.
LD SUMMARY	ILLuminance	Fc	6.53	22.3	0.6	10.88	37.17

Symbol	Qty	Label	Arrangement	Description	LLF	Lumens/Lamp	Arr. Lum. Lumens	Arr. Watts
XLCS	25	A	TWIN	XLCS-FT-LED-HO-CW-TWIN-22' POLE+2' BASE	1.000	N.A.	31070	277.2

Total Project Watts
 Total Watts = 6930.003

LSI Industries
 American Innovation Through Technology

WEST HERR STORAGE LOT EAST AURORA

Lighting Proposal LD-127578-2A

BY:AKH DATE:05/15/15 REV:02/16 SHEET 1 OF 2

SCALE: 1"=40'

Based on the information provided, all dimensions and luminaire locations shown represent recommended positions. The engineer and/or architect must determine the applicability of the layout to existing or future field conditions.

This lighting plan represents illumination levels calculated from laboratory data taken under controlled conditions in accordance with The Illuminating Engineering Society (IES) approved methods. Actual performance of any manufacturer's luminaires may vary due to changes in electrical voltage, tolerance in lamps/LED's and other variable field conditions. Calculations do not include obstructions such as buildings, curbs, landscaping, or any other architectural elements unless noted.